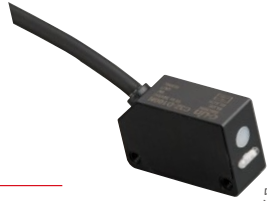


Photoelectric Sensors

▶ TOF anti-interference miniature photoelectric switch



▶ Model Explanation

C3Z - TOF1N

① ② ③ ④

- ① C3Z Series Photoelectric
- ② TOF Diffuse reflective type
- ③ Detection distance: 1: 50 ~ 1000mm, 2: 50 ~ 2000mm, 4: 50 ~ 4000mm
- ④ N:NPN、P:PNP

▶ Product Features

- 1、 Simple connection for easy installation
- 2、 Multi-protection: polarity protection, over-current protection
- 3、 TOF principle, stable detection
- 4、 Detecting distance is easy to set with one button

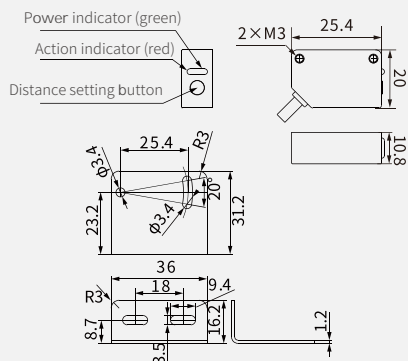
- 5、 With background suppression function, not affected by the material and colour of the detected object
- 6、 Good light resistance

▶ Main technical parameters

Specification		Diffuse reflective TOF		
DC	NPN	C3Z-TOF1N	C3Z-TOF2N	C3Z-TOF4N
	PNP	C3Z-TOF1P	C3Z-TOF2P	C3Z-TOF4P
Detection distance※1		50 ~ 1000mm(Adjustable)	50 ~ 2000mm(Adjustable)	50 ~ 4000mm(Adjustable)
Sensitivity adjustment		One-touch button setting		
Standard detection object		10×10cm White non-glossy paper		
Detectable objects		Reflecting object		
Response time		10ms		
Supply Voltage		DC12 ~ 24V		
Operating current		Load current ≤ 100mA; Static current: ≤ 20mA		
Residual voltage		≤ 2.5V		
Protection circuit		Polarity, overcurrent and overload protection		
Indicator light		Green power indicator, red action indicator		
Ambient illuminance range		Incandescent: Spot intensity under 10,000Lx		
Temperature range		Operating: -25~+55 (no icing, condensation); Storage: -30~+70 (no icing, condensation)		
Humidity range		Operation, storage: 35~85% (no condensation)		
Sensing surface material		PC		

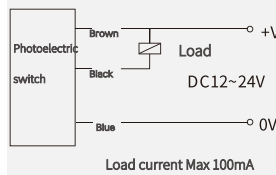
1. Detection distance range value ±10% 2. Response frequency is average value. Measurement conditions: Use a standard detection object and set the distance to 1/2 of the detection distance.

▶ Dimension (Unit: mm)



▶ Wiring diagram

1、 DC 3-Wire NPN NO/NC



2、 DC 3-Wire PNP NO/NC

