

I. Overview

The DC-51 DC motor speed regulator is suitable for adjusting low-power permanent magnet DC motors. It features advantages such as a wide speed regulation range, stable operation, excellent mechanical performance, and high responsiveness. It is widely used in industries including packaging and printing, instruments and meters, garment machinery, and medical machinery.

II. Main Technical Specifications

1. Operating Voltage: AC220V 50/60Hz;
2. Output Voltage, Current & Control Power:
 - a) DCO-24V 1.5A Control Power < 60W;
 - b) DCO-90V 1A Control Power < 120W;
 - c) DCO-110V 1A Control Power < 120W;
 - d) DCO-180V 1A Control Power < 120W;
3. Excitation Voltage: DC24V, 90V, 110V, 180V;
4. Ambient Temperature: -5 ~ +40 ;
5. Relative Humidity: 90%;
6. Altitude: 2000m;
7. Installation Method: Panel-mounted;

①

V. Operating Instructions

1. Before use, please turn the external speed knob to "0" to avoid damaging the controller due to instant large current.
2. The "AC" terminal on the back corresponds to the AC220V input voltage; "M+" and "M-" are the DC power output terminals (to be connected to the DC motor); "P1" and "P2" are emergency stop terminals—when P1 and P2 are short-circuited, the motor will stop running.
3. This product is equipped with a built-in fuse for overcurrent or short-circuit protection. If the fuse blows, replace it with a fuse of the same specification. The panel action switch only controls the motor's start/stop; it is not intended for power cutoff. Please turn off the power supply when the device is not in use for an extended period.

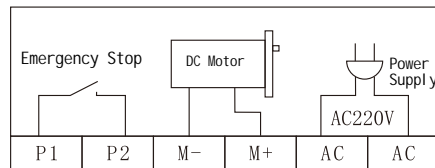
VI. Ordering Instructions

When placing an order, please specify the product model, output voltage, power, and quantity.

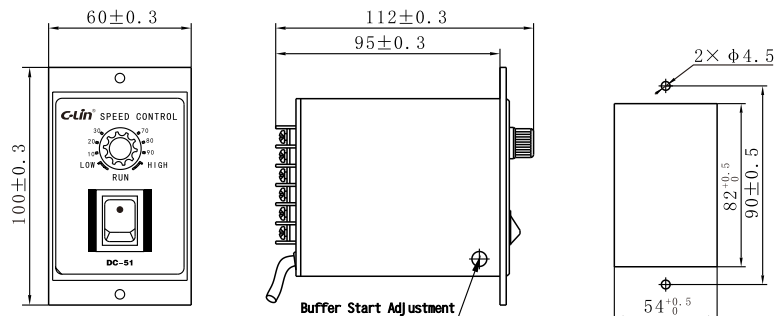
Example: DC-51, DCO-180V, <120W, 500 units

③

III. Wiring Diagram



IV. Outline and Mounting Hole Dimensions (mm)



②



C-Lin
欣灵电气股份有限公司
XINLING ELECTRICAL CO., LTD.

Address: No. 328, 19th Wei Road, Yueqing Economic Development Zone, Zhejiang Province - Telephone: 0577-62735555
Fax: 0577-62722963
Official Website: www.c-lin.cn
E-mail: C-Lin@xlnl.com
Technical Consultation: 400-8236-775



C-Lin 欣灵

使用说明书
Products Instructions

DC-51
DC Motor Speed Controller

Thank you very much for using C-Lin brand speed controller. Please read the user manual before using the product!

08A00200