

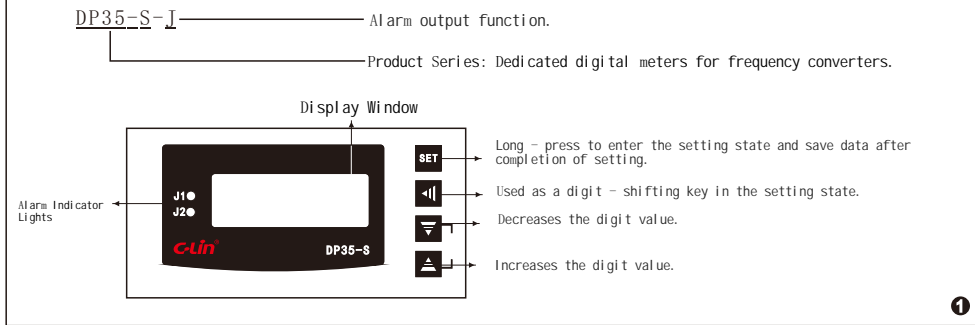
I. Overview

The DP35 - S - J series of dedicated digital meters for frequency converters are designed with a single - chip microcomputer as the core. They feature high - display precision and strong anti - interference capabilities. Additionally, to enhance the corrosion resistance of the meters, anti - oxidation tin - plated circuit boards are used inside, which extends the service life of the meters. This product is applicable to various linear - characteristic measurements and has functions such as decimal point setting, range adjustment, and zero - value adjustment. The product complies with the standard GB/T 22264.

II. Technical Parameters

1. Input Mode: DC voltage 0 - 10V and DC current 4 - 20mA.
2. Working Power Supply: AC220V 50/60Hz (Special power supplies can be customized).
3. Accuracy: $\pm 1.0\%$; S ± 2 digits.
4. Overall Dimensions: 48mm \times 96mm \times 87mm.
5. Cut - out Dimensions: 44mm \times 92mm.
6. Sampling Rate: Approximately 2.5 times per second.
7. Display Range: 0 - 9999; Decimal point position can be freely set. (The default display range for 0 - 10V and 4 - 20mA is 0 - 1500 at the factory).

III. Product Model and Panel Description

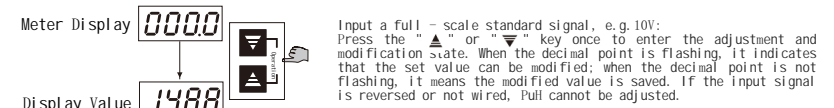


| Corresponding Password | Parameter Symbol | Meaning of Parameter Code | Parameter Value | Initialization Value |
|------------------------|------------------|--|---|----------------------|
| P036 | PuL | Lower limit setting of measurement range | -1999~9999 | 0000 |
| | PuH | Upper limit setting of measurement range | 0~9999 | 1500 |
| | dot | Decimal point position | 0000: No decimal point 0001: 1 decimal place 0002: 2 decimal places 0003: 3 decimal places | 0000 |

| Corresponding Password | Parameter Symbol | Meaning of Parameter Code | Parameter Value | Initialization Value |
|------------------------|------------------|------------------------------|-----------------|----------------------|
| P001 | AH1 | First alarm pick - up value | 0~9999 | 2000 |
| | AL1 | First alarm release value | 0~9999 | 1000 |
| | AH2 | Second alarm pick - up value | 0~9999 | 3000 |
| | AL2 | Second alarm release value | 0~9999 | 2000 |
| | t dE | Alarm delay time | 0~60.0 | 3.0 |

| Corresponding Password | Parameter Symbol | Meaning of Parameter Code | Parameter Value | Initialization Value |
|------------------------|------------------|--|------------------------------|----------------------|
| P067 | ZEro | Removal of small signals caused by induction or other reasons. | 0~100 | 0020 |
| | P-5n | Input signal | 4-20: 4~20mA 0-20: 0~20mA | 4~20mA |

2. Online Modification of Display Value

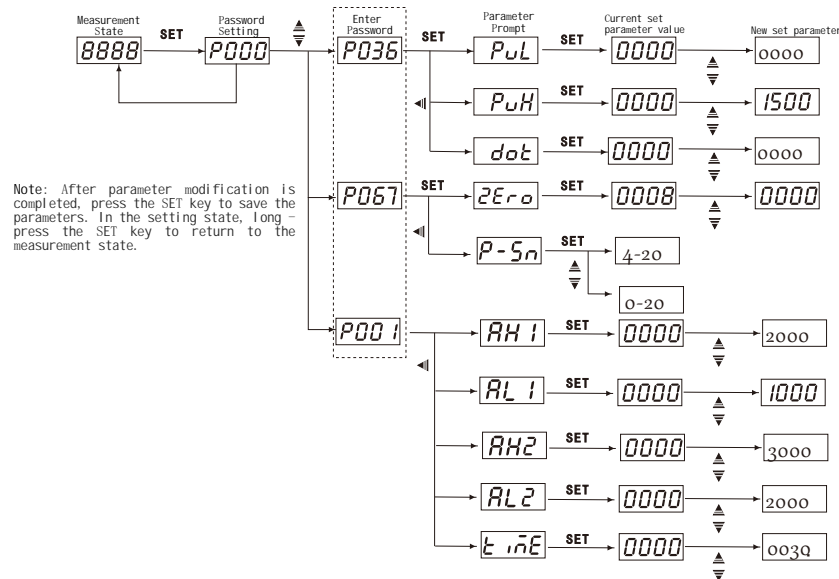


V. Wiring Diagram



IV. Description of Setting Methods

1. Parameter Setting



VI. Environmental Protection and Other Legal Provisions

To protect the environment, when this product or its components are scrapped, they should be properly disposed of as industrial waste. Alternatively, they can be handed over to a recycling and treatment station for classified disassembly, recycling, and reuse in accordance with relevant national regulations.



C-Lin[®]
欣灵电气股份有限公司
XINLING ELECTRICAL CO., LTD.
地址: 浙江省乐清经济开发区纬十九路328号
电话: 0577-6273 5555 传真: 0577-6272 2963
官网: www.c-lin.cn E-mail: xl@xinling.com
技术咨询: 400-8236-775



国家高新技术企业 浙江乐清 乐清市

C-Lin 欣灵

使用说明书
Products Instructions

DP35 - S - J Series
Dedicated Digital Meters for Frequency Converters

We sincerely thank you for using C-Lin brand instruments. Please read the instruction manual before using the product!

09A073Q0