

规格承认书

SPECIFICATION FOR APPROVAL

XD-JC-2210-003

客户(CUSTOMER):

品名(ITEM): 电磁继电器

型号(MODEL): HHC68BVL-4Z

客户料号(CUSTOMER'S P/N):

发行部门(ISSUER): 技术部

发行日期(DATE OF ISSUED):

客户承认栏 (APPROVED BY)				协力厂商 (PRODUCTION CHECK)			
核准 APPROVER		承办 CHECKED		核准 APPROVER		编制 CHECKED	
承认章 (APPROVED)				协力厂商印章 (PRODUCTION APPROVERDBY)			

欣灵电气股份有限公司
XINLING ELECTRICAL CO.,LTD.

地址:浙江省乐清市经济开发区纬十九路 328 号

邮编(P. C): 325600

电话(TEL): +86-577-62735555

传真(FAX): +86-577-62865220

Http://www.xinling.com.

SPECIFICATION FOR APPROVAL

1 产品类型 (TYPE MODEL)

1.1 型号 (TYPE)

NNC68BVL-4Z

1.2 触点形式 (CONTACT ARRANGEMENT)

4Z, 4H, 4D

1.3 触点材料 (CONTACT MATERIAL)

银合金

2 线圈参数 (COIL PARAMETER)

额定电压 (RATED VOLTAGE) DC (V)	线圈电阻 (COIL RESISTANCE) ±10% (Ω)	线圈最大允许电压 (MAX. ALLOWABLE COIL VOLTAGE) (at 23°C) (V)	线圈消耗功率 (COIL OPERATING POWER) (W)
6	40	额定电压 X110%	0.9
12	160		
24	640		
48	2560		
110	13400		
220	53777		

额定电压 (RATED VOLTAGE) AC (V)	线圈电阻 (COIL RESISTANCE) ±10% (Ω)	线圈最大允许电压 (MAX. ALLOWABLE COIL VOLTAGE) (V)	线圈消耗功率 (COIL OPERATING POWER) (VA)
6	10.5	额定电压 X110%	1.2
12	42		
24	168		
48	672		
110	3529		
220	14116		
380	42116		

3 触点规格 (CONTACT SPECIFICATION)

3.1 触点额定值 (CONTACT RATING)

5A 240VAC/28VDC(阻性 Resistive)

3.2 触点额定电流 (RATED CONTACT CURRENT)

5A

3.3 最大分断能力 (MAX CONTACT CAPACITY)

SPECIFICATION FOR APPROVAL

240VAC/28VDC

4 性能 (PERFORMANCE)

4.1 接触电阻 (CONTACT RESISTANCE)

$\leq 100\text{m}\Omega$ (6VDC, 1A)

4.2 吸合电压 (OPERATE VOLTAGE)

DC: $\leq 75\% \times$ 额定电压 The rated voltage (at 23°C)

AC: $\leq 80\% \times$ 额定电压 The rated voltage (at 23°C)

4.3 释放电压 (RELEASE VOLTAGE)

DC: $\geq 10\% \times$ 额定电压 The rated voltage (at 23°C)

AC: $\geq 30\% \times$ 额定电压 The rated voltage (at 23°C)

4.4 动作时间 (OPERATE TIME) $\leq 15\text{ms}$

4.5 释放时间 (RELEASE TIME) $\leq 10\text{ms}$

4.6 寿命 (LIFE)

1) 电气寿命 (ELECTRICALLY): 1×10^5 次 (阻性负载, 15 次/每分钟)

1×10^5 ops min (Resistive load, 10 ops/minute)

2) 机械寿命 (MECHANICALLY): 1×10^7 次 (无负荷下, 300 次/每分钟)

1×10^7 ops min (At no load, 300 ops/minute)

4.7 介质耐压 (DIELECTRIC STRENGTHS) 漏电流 1mA (LEAK CURRENT 1mA)

1) 触点与触点间 (BETWEEN CONTACTS): 1000VAC, 1minute

2) 线圈与触点间 (BETWEEN COIL TO CONTACTS) : 1500VAC, 1minute

4.8 绝缘电阻 (INSULATION RESISTANCE)

1) 触点与触点间 (BETWEEN CONTACTS): 100M Ω

2) 线圈与触点间 (BETWEEN COIL TO CONTACTS) : 100M Ω

4.9 耐冲电压 (SURGE RESISTIVE NESS)

3) 线圈与触点间 (BETWEEN COIL TO CONTACTS): 1800VAC, 1minute

4.10 温升 (TEMPERATURE RISE)

1) 线圈 (COIL): 阻性法, 线圈加额定电压触点电流: 0.1A 温度 $\leq 70^\circ\text{C}$ 。

70°C Max. by resistance method at Ccontact: 0.1A,

Coil: rated voltage

2) 触点 (CONTACT): 测温法, 线圈加额定电压触点电流: 5A 温度 $\leq 80^\circ\text{C}$ 。

80°C Max. by temperature measuring method at

Contact: 5A, Coil: rated voltage

4.11 振动 (VIBRATION)

1) 误动作 (ERROR OPERATION): 以三个方向振动 5 分钟, 误动不超过 1ms (振幅 1mm, 10~55Hz)。

No error operation than 1ms Max. when vibrate it from 3 directions for 5 minutes (Amplitude 1.5mm, 10~55Hz).

2) 振动耐久性 (ENDURANCE): 以三个方向振动 2 小时, 无结构故障 (振幅 1mm,

SPECIFICATION FOR APPROVAL

10~55Hz) 。

No construction trouble when vibrate it from 3 directions for 2 hours(Amplitude 1.5mm, 10~55Hz).

4.12 冲击(HOCK)

- 1) 误动作(ERROR OPERATION): 以三个方向冲击3次, 触点误动作不超过1ms(最高加速度 98m/s^2 持续时间11ms)。

No error operation by contact more than 1ms Max. When shocks is from 3 directions 3 times (at peak acceleration 100 m/s^2 Duration 11ms).

- 2) 耐冲击(ENDURANCE): 以三个方向冲击3次, 无结构故障(最高加速度 98m/s^2 持续时间6ms)。

No construction trouble when shocks is from 3 directions 3 times(at peak acceleration 1000 m/s^2 Duration 6ms).

4.13 引脚强度(TERMINAL STRENGTH)

在任何引脚上施加5N的力, 持续10秒, 表面及结构上应无损伤。

No construction and exterior trouble when push into any terminals by 5N for 10esc.

4.14 高温试验(THERMAL PROOF)

在 70°C 恒温状态下放置24小时, 然后在常温下放置2小时, 无结构及性能损伤。

Not any trouble on construction and characteristic when leave in 70°C 24 hours after that , leave it in standard condition for 2 hours .

4.15 低温试验(COLD PROOF)

在 -55°C 恒温状态下放置24小时, 然后在常温下放置2小时, 无结构及性能损伤。

Not any trouble on construction and characteristic when leave in -55°C 24 hours after that , leave it in standard condition for 2 hours .

4.16 潮湿试验(HUMIDITY PROOF)

在 40°C , 湿度90%恒温状态下放置24小时, 然后在常温下放置2小时, 无结构及性能损伤, 绝缘电阻 $\geq 10\text{ M}\Omega$ 。

Insulation resistance $10\text{ M}\Omega$ min . Not any troubles on construction and characteristic when leave in 40°C , humidity 35%-80% 24 hours after that , leave it in standard condition for 2 hours .

4.17 温度急变试验(THERMAL SHOCK)

在温度 -40°C 及 70°C 恒温状态下各放置1小时为1个循环, 共10个循环后在正常环境下放置2小时, 无结构及性能损伤。

SPECIFICATION FOR APPROVAL

Not any troubles on construction and characteristic when leave it in -40°C and 85°C temp. room for 1h each. That is one cycle. After 10 cycles has done, Leave it on standard condition for 2 hours.

4.18 耐焊接热 (SOLDERING THERMAL)

在 $350\pm 10^{\circ}\text{C}$ 的锡温中浸锡 3.5 ± 0.5 秒或在 $260\pm 5^{\circ}\text{C}$ 锡温中浸锡 10 ± 1 秒, 无结构及性能损伤。

Not any troubles on construction and characteristic. When dipped into soldering bath $350\pm 10^{\circ}\text{C}$ $3.5\pm 0.5\text{sec}$ or $260\pm 5^{\circ}\text{C}$ $10\pm 1\text{sec}$.

4.19 可焊性 (SOLDERABILITY)

在 $235\pm 5^{\circ}\text{C}$ 的锡温中浸锡 2 ± 0.5 秒, 试验后焊锡的浸锡面积应大于 95%。

Not any problems solder dipped at $235\pm 5^{\circ}\text{C}$ $2\pm 0.5\text{sec}$.

5 标志 (MARKING)

5.1 外壳颜色 (CRUST COLOR)

透明

5.2 标志位置 (MARKING POSITION)

顶面 (Top Surface) 和背面 (Side of behind)

5.3 字符颜色 (INK COLOR)

激光刻字 (黑色)

6 测试条件 (STANDARDS TEST CONDITION)

6.1 温度 (TEMPERATURE)

$23^{\circ}\text{C}\pm 5^{\circ}\text{C}$ 常温

6.2 湿度 (HUMIDITY)

45%~85%

6.3 测试方向 (DIRECTION OF MEASUREMENT)

引线脚向下 (Terminal down position is standard position)

7 使用条件 (OPERATING CONDITION)

7.1 温度 (TEMPERATURE)

$-40\sim +85^{\circ}\text{C}$, 无冻结、凝露环境 (However, no freeze and no dew condensation)

7.2 湿度 (HUMIDITY)

45~85%

7.3 安装方向 (MOUNTING DIRECTION)

引脚向下 (Terminal down position is standard position)

8 储存条件 (STORAGE CONDITION)

8.1 温度 (TEMPERATURE)

$-40\sim +85^{\circ}\text{C}$, 无冻结、凝露环境 (However, no freeze and no dew condensation)

SPECIFICATION FOR APPROVAL

8.2 湿度 (HUMIDITY)

45~85%

8.3 环境 (ENVIRONMENT)

- 1) 产品或包装箱避免放置在有腐蚀性的气体中, 如硫化氢气体或含盐空气中。

Store in locations where the product or container is not expose to corrosive gas such As hydrogen sulfide gas or salty air.

- 2) 无尘场所。

Store in location where no visible dust exists.

- 3) 避免阳光直射。

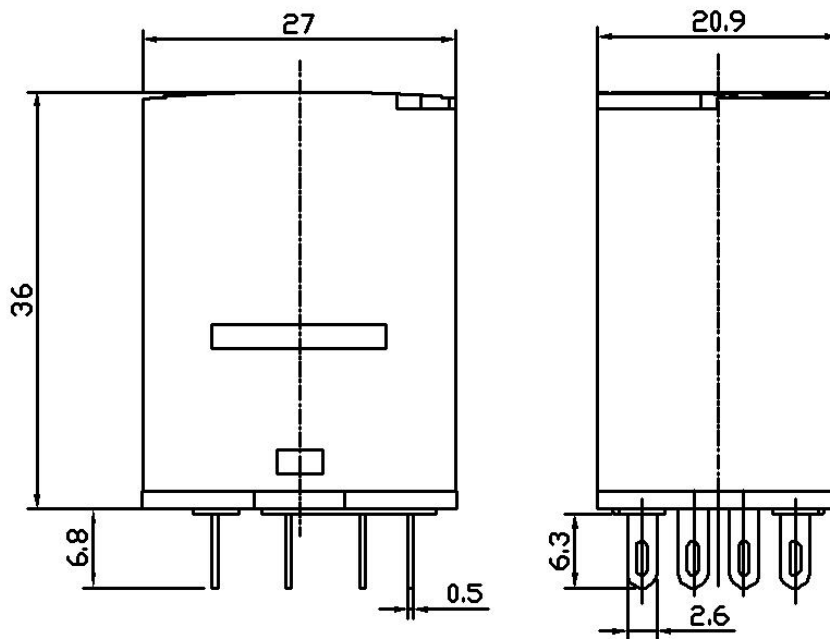
Store in location not subject to direct sunlight.

附: 外形尺寸安装与印字图

(Overall dimensions、mounting dimensions and the circuit diagram)

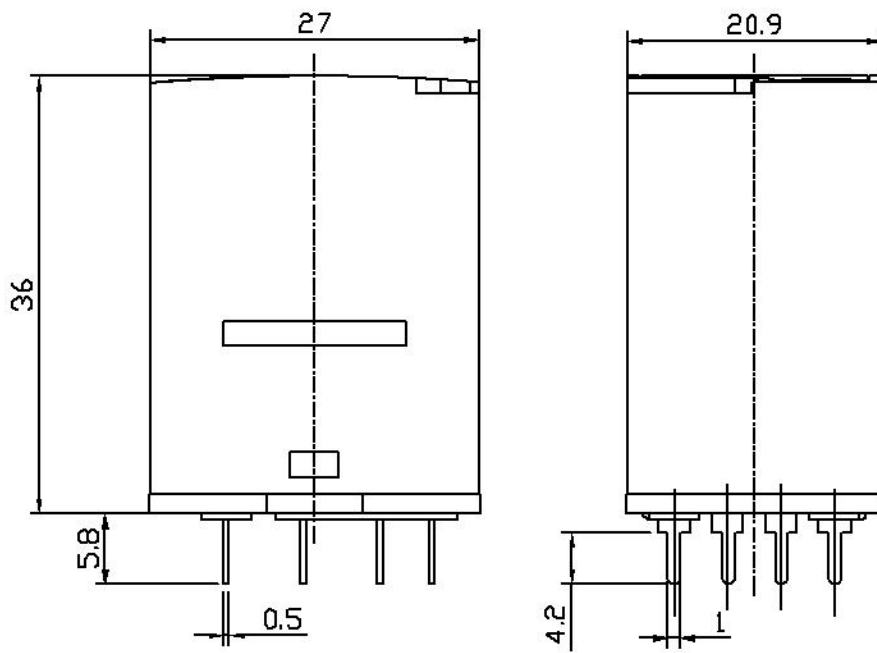
外形图:

插座式:

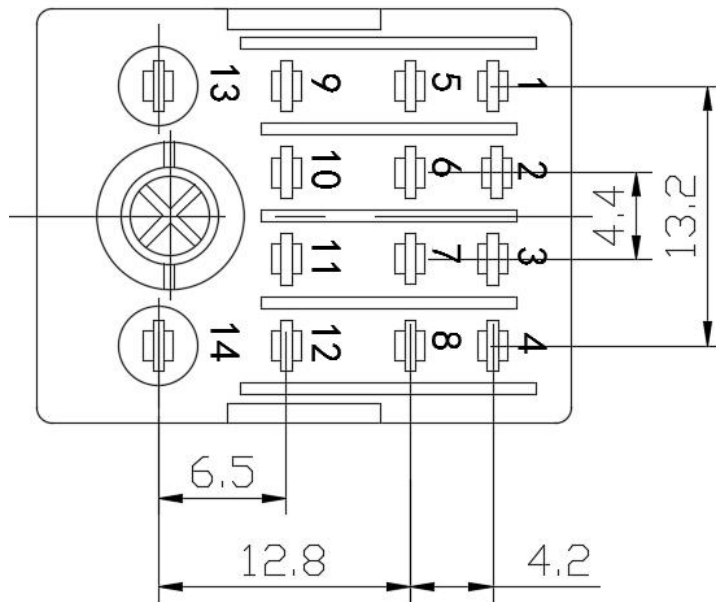


PCB 式:

SPECIFICATION FOR APPROVAL

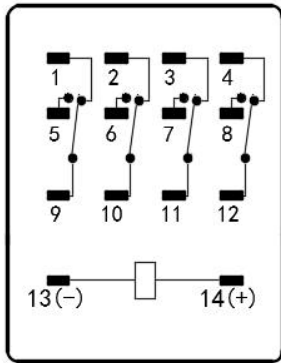


安装尺寸图:

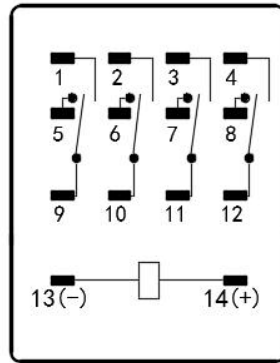


接线图 (底视):

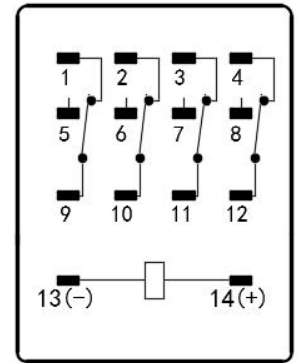
SPECIFICATION FOR APPROVAL



4Z



4H



4D