

I. Overview

The HHJ3 counter (hereinafter referred to as the counter) is applicable as a counting component in control circuits with an AC 50/60Hz power supply and a working voltage of AC/DC100 - 240V or AC/DC24V.

The counter adopts a dedicated counting chip and a 6 - digit LED digital display, and has the advantages of a wide counting range, stable and reliable counting performance, and easy and simple installation.

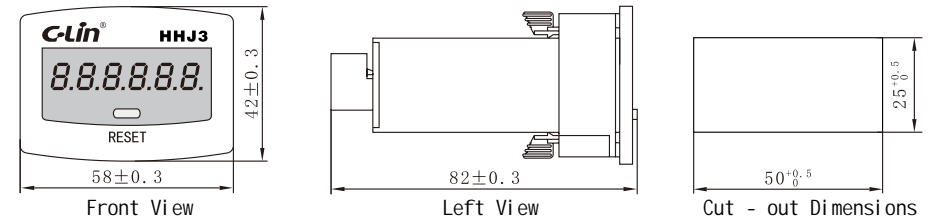
This product complies with the requirements of JB/T 8794 - 2010.

II. Main Technical Data

- Working power supply: AC/DC100 - 240V, AC/DC24V, 50/60Hz.
- Counting range: 1 - 999999.
- Counting signals:
 - Non - voltage type: Suitable for switch and contact signal input.
 - Voltage type (to be customized): Suitable for level DC4V - 30V, AC110V or AC220V voltage signal input.
- Counting speed: Press the RESET key 5 times to switch the counting speed to 10, 30, or 1000 times/second, and save after 4 seconds:
 - R--10: 10 times/second, applicable to non - voltage type (switch signal, contact signal).
 - R--30: 30 times/second, applicable to non - voltage type/voltage type (switch signal, contact signal, level signal).
 - R - 1000: 1000 times/second, applicable to voltage type (level signal).
- Counting method: Addition counting.
- Reset method: Panel button switch reset.
- Power - off memory: 10 years.
- Installation method: Panel - type.
- Pollution degree: 3.
- Protection Level: IP40.
- Ambient temperature: $- 5^{\circ}\text{C} - + 40^{\circ}\text{C}$.
- Relative humidity: 90%.
- Altitude: 2000m.

①

IV. Outline and Cut - out Dimension Diagram (mm)



V. Instructions for Use

- The counting signal input wires should be as short as possible and avoid being in the same conduit or twisted together with other power lines and power cables. Use shielded wires if necessary to prevent mis-counting.
- Unless otherwise specified, the factory default is the no-voltage type, and the default counting speed is 30 times per second.

VI. Ordering Instructions

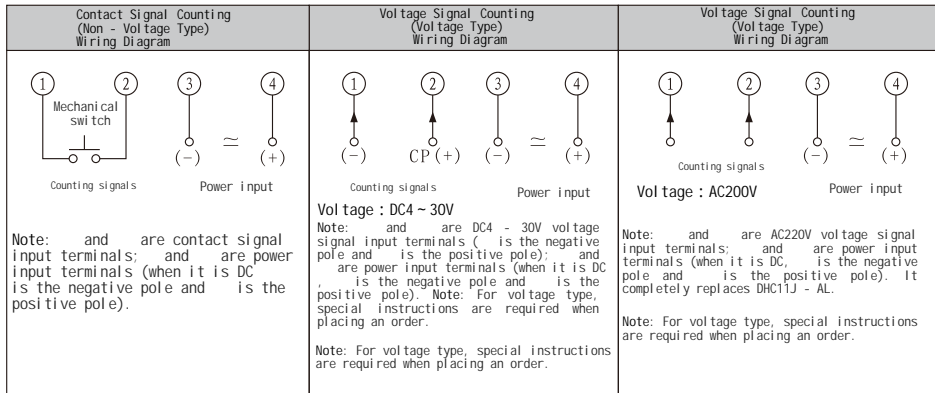
When ordering, specify the product model, working voltage, counting signal, and quantity:

Examples: 1)HHJ3, AC/DC 100 ~ 240V, no-voltage type, 500 pieces.

2)HHJ3, AC/DC 100 ~ 240V, voltage type(counting voltage AC220V), 500 pieces (custom order required).

③

III. Wiring Diagrams



Caution: Do not connect the power supply to the signal terminal.

②



C-Lin
欣灵电气股份有限公司
XINLING ELECTRICAL CO., LTD.

地址: 浙江省乐清经济开发区纬十九路328号
电话: 0577-62735555 传真: 0577-62722963
官网: www.c-lin.cn E-mail: xl@xinling.com
技术咨询: 400-8236-775



国家标准技术名称: 浙江省长沙县名器号

使用说明书
Products Instructions

HHJ3

Counter

We sincerely thank you for using the C-Lin brand counter. Please read the instruction manual carefully before using the product.

29A07400