

## . Overview

The LX19 series travel switches are suitable for control circuits with AC 50Hz or 60Hz, voltage up to 380V, and DC voltage up to 220V. They are used for stroke control of motion mechanisms, change of motion direction or speed, automatic control of machine tools, change of motion direction or speed of motion mechanisms, and limit action and control of stroke or procedure. This series of travel switches complies with GB 14048.5 and IEC 60947-5-1 standards.

## . Model and Meaning

LX 19 - □ □

- 1: Can automatically reset
- 2: Cannot automatically reset

- 00: Rollerless straight-moving type
- 11: Single roller, roller inside the transmission rod
- 12: Single roller, roller outside the transmission rod
- 13: Single roller, roller in the groove of the transmission rod
- 21: Double rollers, roller inside the transmission rod
- 22: Double rollers, roller outside the transmission rod
- 23: Double rollers, roller at the lower left of the transmission rod
- K: Open type

Design serial number  
Travel switch

## . Main Technical Data

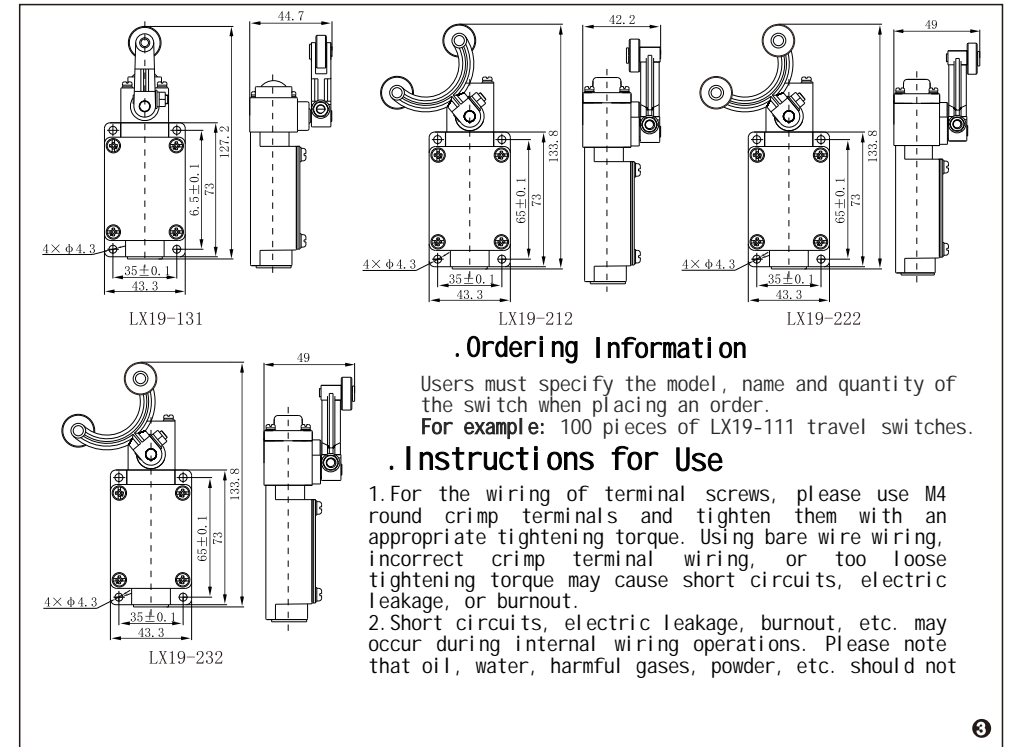
Table 1

Protection Class	IP52
Conventional Heating Current	5A
Rated Voltage	AC380V DC220V
Rated Control Current	AC0.8A DC0.1A
Operation Frequency	20 times per minute
Mechanical Life	Over 6 million times
Electrical Life	$3 \times 10^5$ times
Ambient Temperature	$-5^{\circ}\text{C} \sim 40^{\circ}\text{C}$
Relative Humidity	$\leq 90\%$ ( $20^{\circ}\text{C}$ )
Altitude	$\leq 2000\text{m}$
Withstand Voltage	Between homologous terminals (1890V)
	Between terminals and non-live metal parts (2500V)
	Between live parts and ground (2500V)
Application Range	Control the stroke of motion mechanisms, change their motion direction or speed

Table 2

Model	Action Characteristic			
	LX19-K	LX19-001	LX19-111 LX19-121 LX19-131	LX19-212 LX19-222 LX19-232
Actuating Force (OP) Max (max)	10N	16N	20N	25N
Actuating Stroke (PT) Max (max)	3.5mm	7mm	$45^{\circ}$	$80^{\circ}$
Overstroke (OT) Min (min)	0.5mm	2mm	$15^{\circ}$	-

①



## . Ordering Information

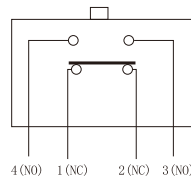
Users must specify the model, name and quantity of the switch when placing an order.  
For example: 100 pieces of LX19-111 travel switches.

## . Instructions for Use

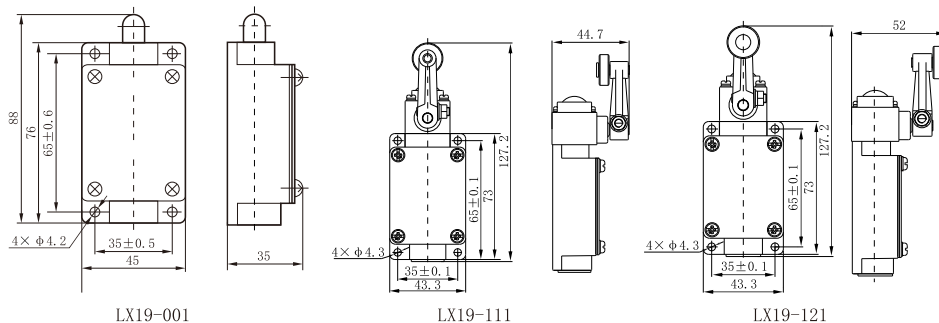
- For the wiring of terminal screws, please use M4 round crimp terminals and tighten them with an appropriate tightening torque. Using bare wire wiring, incorrect crimp terminal wiring, or too loose tightening torque may cause short circuits, electric leakage, or burnout.
- Short circuits, electric leakage, burnout, etc. may occur during internal wiring operations. Please note that oil, water, harmful gases, powder, etc. should not

②

## . Contact Form



## . Outline and Installation Dimensions



②

- enter the inside of the switch.
- Improper selection or handling (installation, fastening) of connectors may cause misoperation, electric leakage, burnout, etc. Therefore, please read this instruction manual carefully.
- Even if the connector is properly selected and handled, the end of the cable is connected to the inside of the switch. Therefore, please note that oil, water, or harmful gases should not enter from the end of the cable, which may cause misoperation, electric leakage, burnout, etc.
- Limit switches may also deteriorate due to being used outdoors or in contact with special cutting oil. Therefore, please consult when selecting the model.
- Please install the switch in a location where it will not be in direct contact with chips or dust. It must be ensured that no cutting chips or muddy substances accumulate on the drive rod and the switch body.
- When the switch is subjected to continuous vibration and impact, the generated wear debris may cause poor contact, malfunction, and reduced durability. In addition, excessive vibration and impact may cause contact misoperation and damage. Therefore, please install it in a location free from vibration and impact and in a direction where resonance will not occur.



China Well-known Trademark, National High-tech Enterprise

C-Lin 欣灵

使用说明  
Products Instructions

LX19 Series  
Travel Switch

Thank you very much for using C-Lin travel switches. Please read the user manual before using the product!

23B002E1